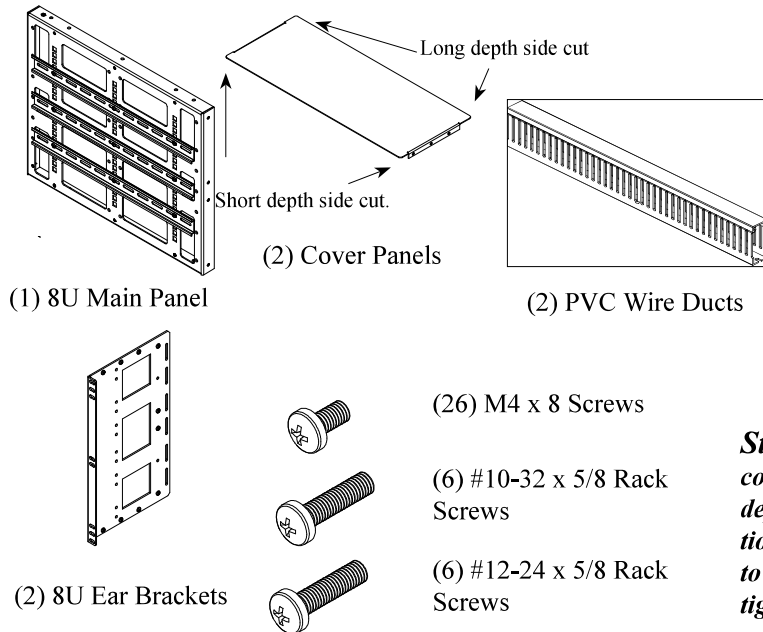


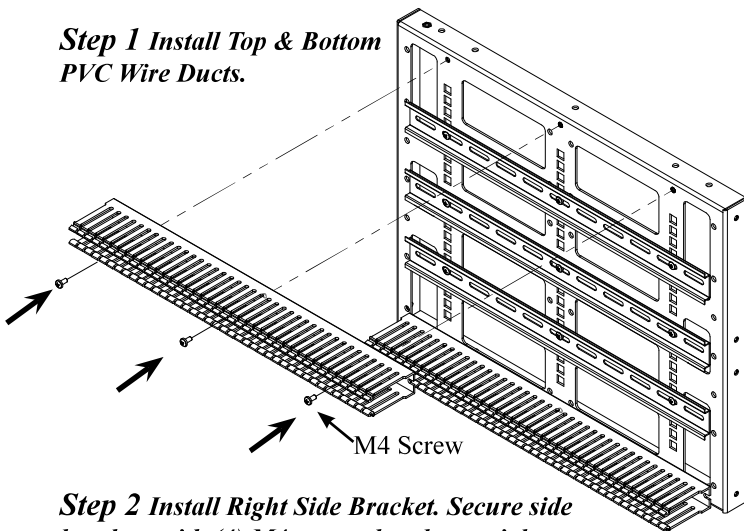
IRP208DB-8U 8U DIN Rail Box Installation

Included in this package

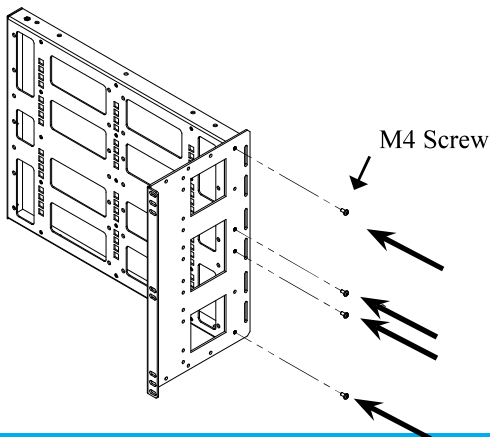


Installation Steps

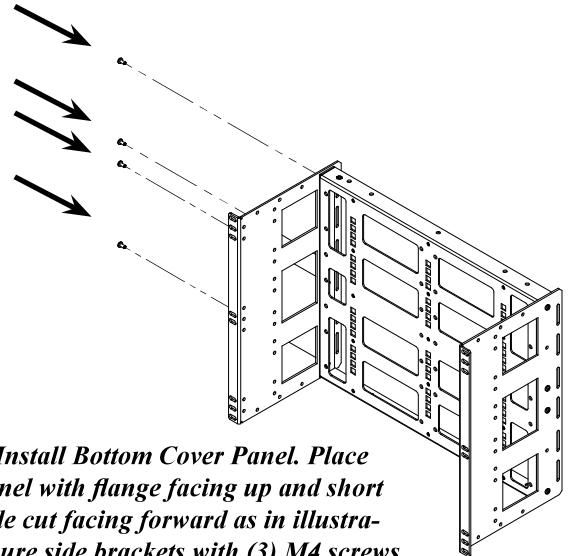
Step 1 Install Top & Bottom PVC Wire Ducts.



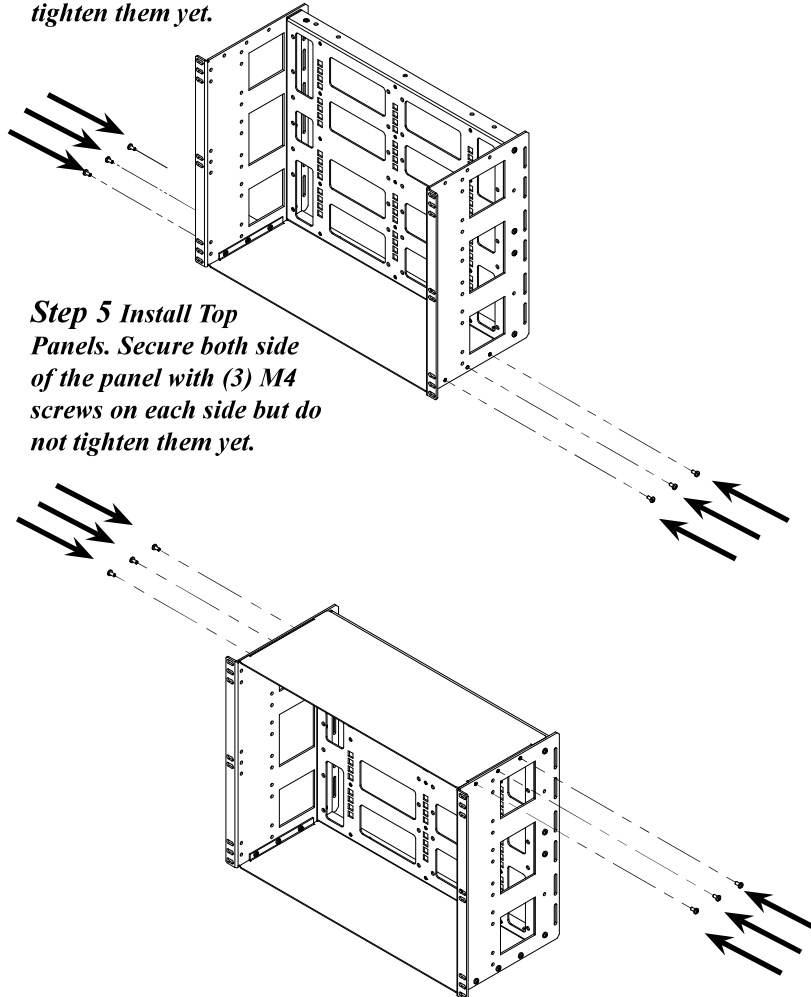
Step 2 Install Right Side Bracket. Secure side brackets with (4) M4 screws but do not tighten them yet.



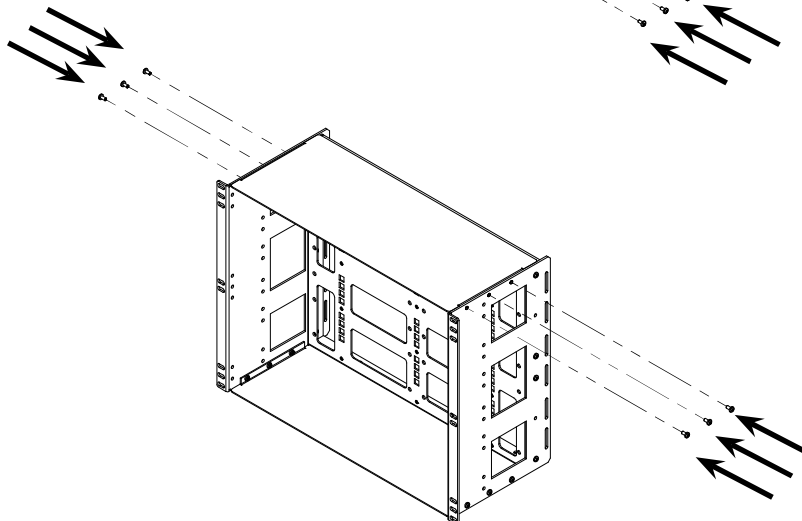
Step 3 Install Left Side Brackets. Secure side brackets with (4) M4 screws but do not tighten them yet.



Step 4 Install Bottom Cover Panel. Place cover panel with flange facing up and short depth side cut facing forward as in illustration. Secure side brackets with (3) M4 screws to right and left side of cover panel but do not tighten them yet.



Step 5 Install Top Panels. Secure both side of the panel with (3) M4 screws on each side but do not tighten them yet.



Step 6 Tighten all M4 screws on both right and left hand side. Makes sure all panels and brackets are secured and not moving. Assembly complete.